

StreamMaster™

StreamMaster Monitors

StreamMaster Monitors have a uniquely designed, low profile 4" waterway with cast-in turning vanes. When coupled with an 80 psi nozzle, the pump can operate at lower pressures for flows up to 2000 gpm (7600 lpm).

3578 StreamMaster Electric Monitor

- Stow option to avoid aerial bedding accidents - Must specify
- 348° horizontal and 135° vertical travel, both with adjustable stops
- Manual override
- 12 or 24 volt (24 volt CE approved) - Must specify
- See page 167 for Monitor/Fog Nozzle Compatibility Chart



Style 3578
Shown with Style 5178
Akromatic® 2000 Master
Stream Nozzle

3570 StreamMaster Manual Monitor

The StreamMaster Manual Monitor is a dual handwheel controlled monitor suited for large flow needs in fixed site installations.

- Pyrolite® finish
- Full 360° horizontal travel and 135° vertical travel, both with adjustable stops
- Elevation 45° below to 90° above horizontal
- Smoother, easier handwheel operation of both horizontal and vertical travel
- See page 167 for Monitor/Fog Nozzle Compatibility Chart



Wireless Remote
Control Available



StreamMaster
available with position
feedback for Position
Indicator option

Style	Weight lbs. (kg)	Height	Width	Inlet	Outlet	Flow	
						GPM	LPM
3570	33 (15 kg)	16 5/8" (422 mm)	14 1/4" (362 mm)	4" FL (100 mm)	3 1/2" NH (89 mm)	2000	7600
3578	45 (20.5 kg)	16 1/4" (412 mm)	12 1/4" (311 mm)	4" FL (100 mm)	3 1/2" NH (89 mm)	2000	7600

See Page 45 for Electric
Monitor Accessories



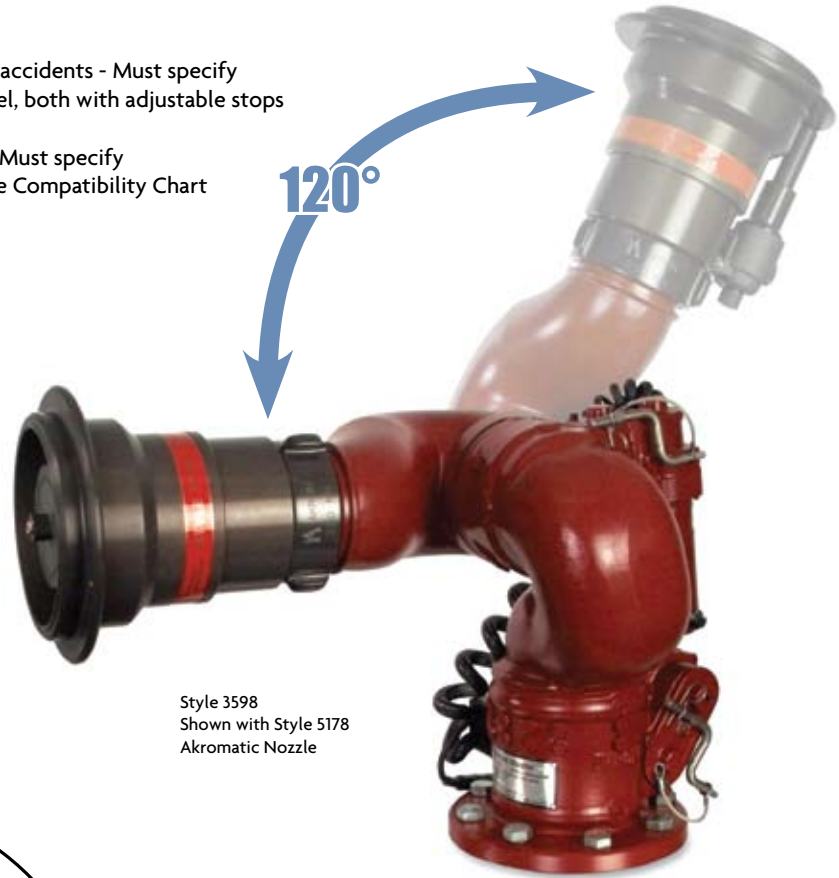
Style 3570
Shown with Style 5170 Akromatic
2000 Master Stream Nozzle

StreamMaster™ XT

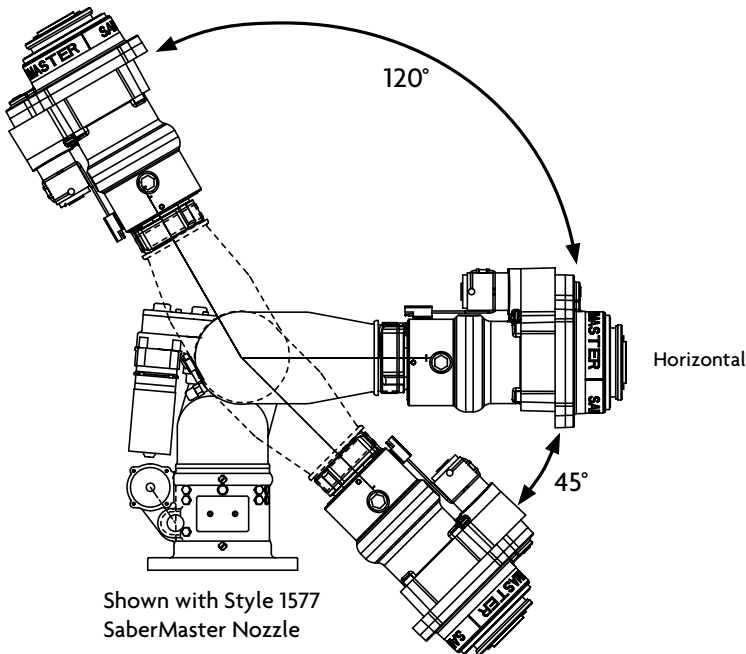
The same superior features of the StreamMaster *plus* extended vertical travel. The extended travel outlet on the StreamMaster XT provides for 30° increase in vertical range, enabling the ladder to be placed below the fire floor and deliver a stream into the involved area, keeping personnel and equipment in a safer position.

3598 StreamMaster XT

- Vertical travel 45° below and 120° above horizontal
- More efficient gearing increases torque, reducing amp draw
- Reinforced outlet elbow casting
- Improved waterway efficiency
- Stow option to avoid aerial bedding accidents - Must specify
- 348° horizontal and 165° vertical travel, both with adjustable stops
- Manual override
- 12 or 24 volt (24 volt CE approved) - Must specify
- See page 167 for Monitor/Fog Nozzle Compatibility Chart



Style 3598
Shown with Style 5178
Akromatic Nozzle



Shown with Style 1577
SaberMaster Nozzle



Wireless Remote
Control Available



StreamMaster available with position
feedback for Position Indicator option

See Page 45 for Electric Monitor Accessories

Style	Weight lbs. (kg)	Height	Width	Inlet	Outlet	Flow	
						GPM	LPM
3598	45 (20.4 kg)	16 5/8" (422 mm)	14 1/4" (362 mm)	4" FL (100 mm)	3 1/2" NH (89 mm)	2000	7600

